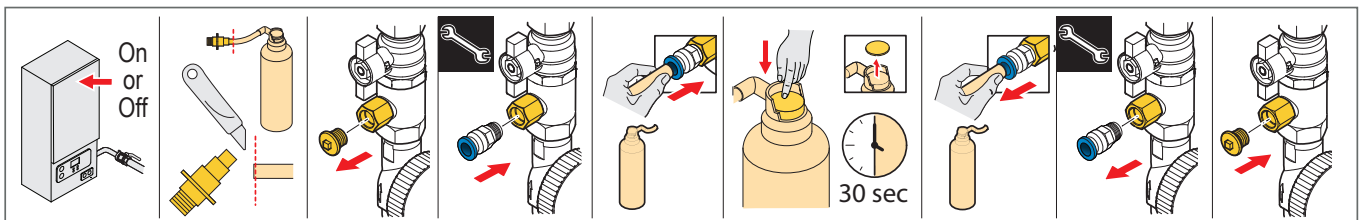
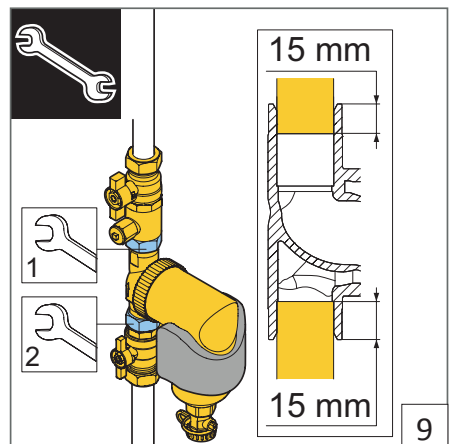
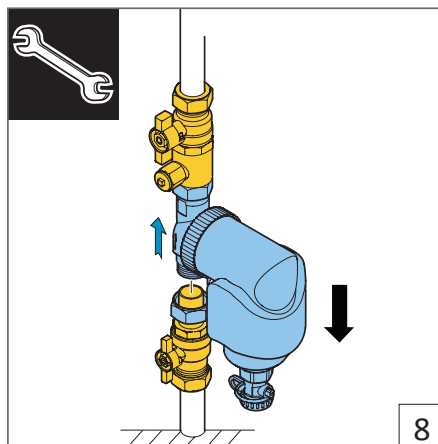
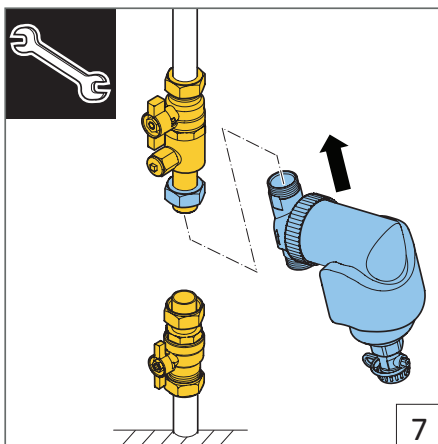
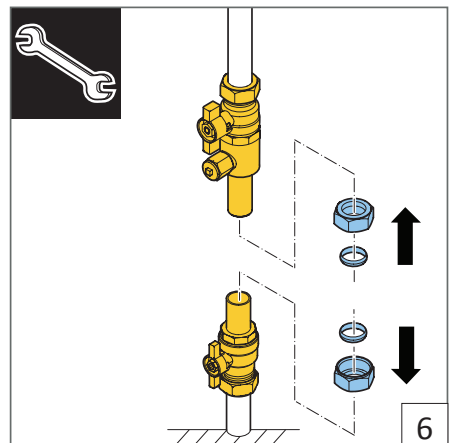
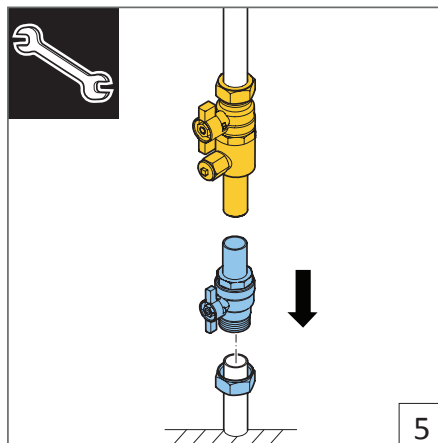
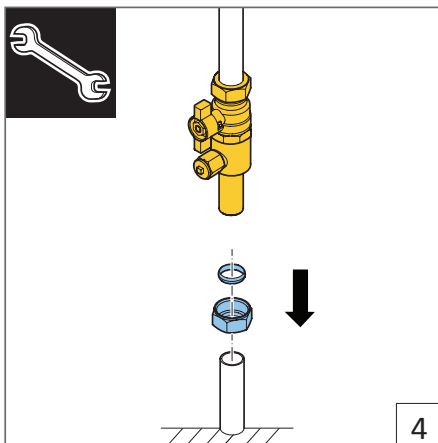
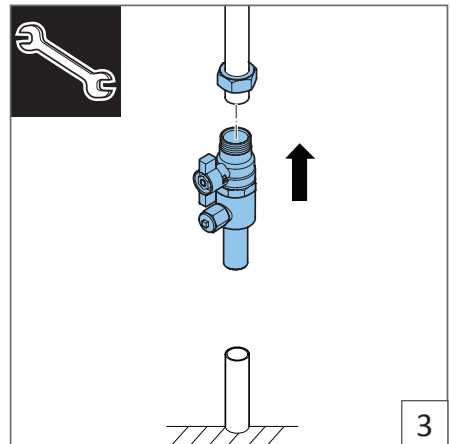
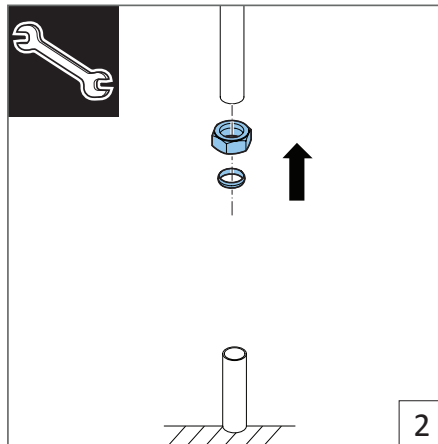
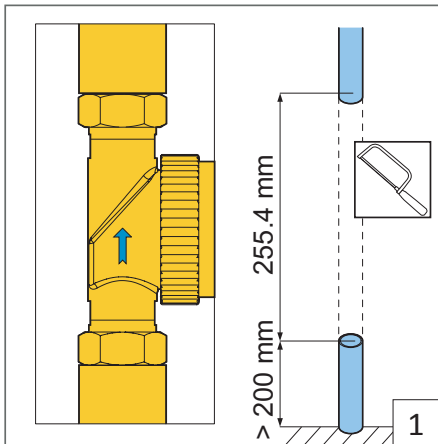
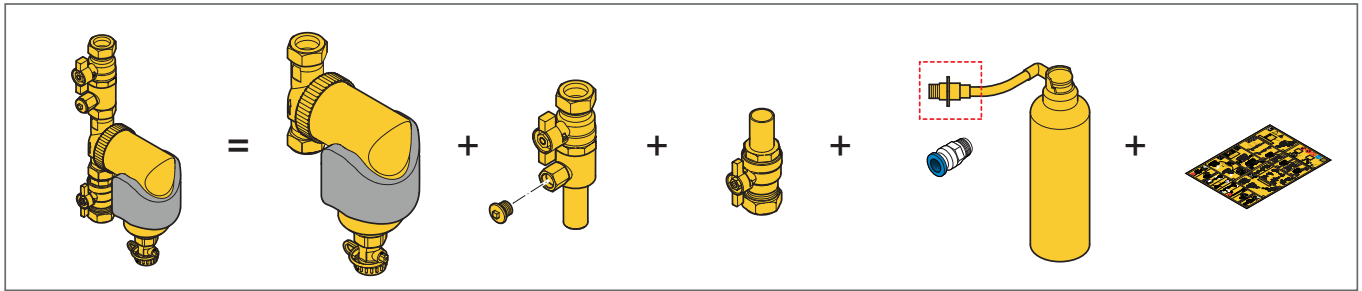


Installation and operating instruction

Please refer to the operating instructions of the separate products.

60.931_02



10
20
30
40
50
60
70
80
90
100
110
120
130
140
150
160
170
180
190
200
210
220
230
240
250
260
270